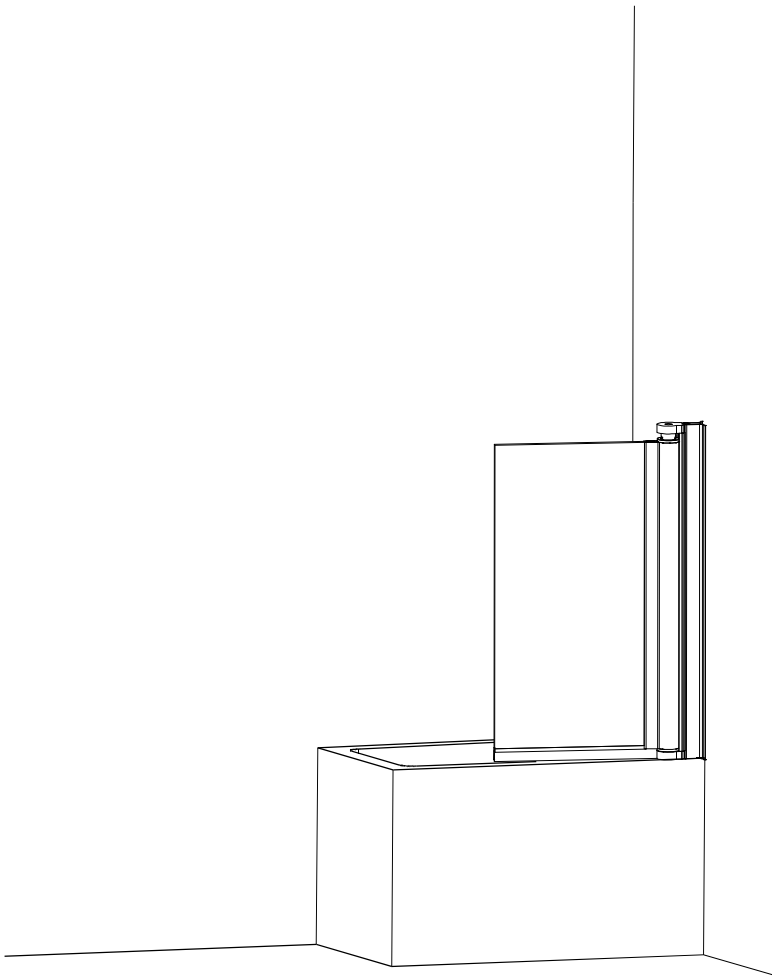




Mithras®

Z-3982 Bath Screen



T

TECHNICAL DATA SHEET

P

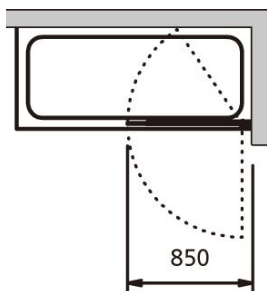
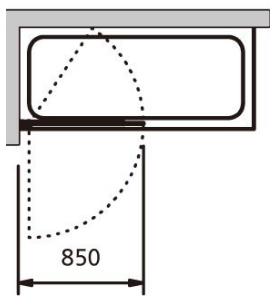
PREPARATION BEFORE
INSTALLATION

I

INSTALLATION STEPS



1. Never install unprotected glass edges against a hard foundation.
2. After application/sealing the silicone should not be exposed to water for 24 hours.
3. The shower should be thought of as shower-tight, not watertight. To expose critical points to water under high pressure can result in some leakage.
4. Because of continual product development certain details may differ in the installation instructions.



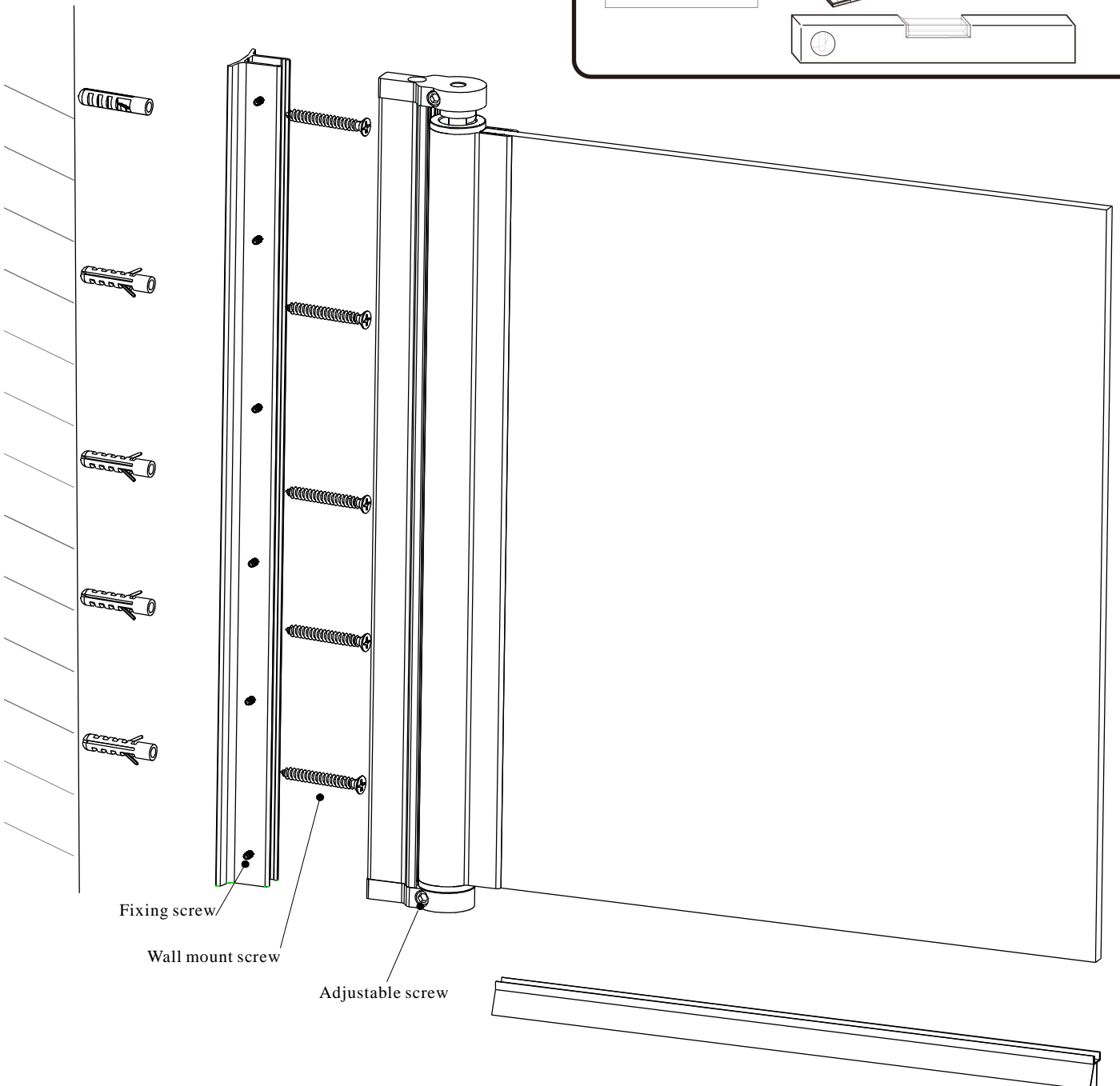
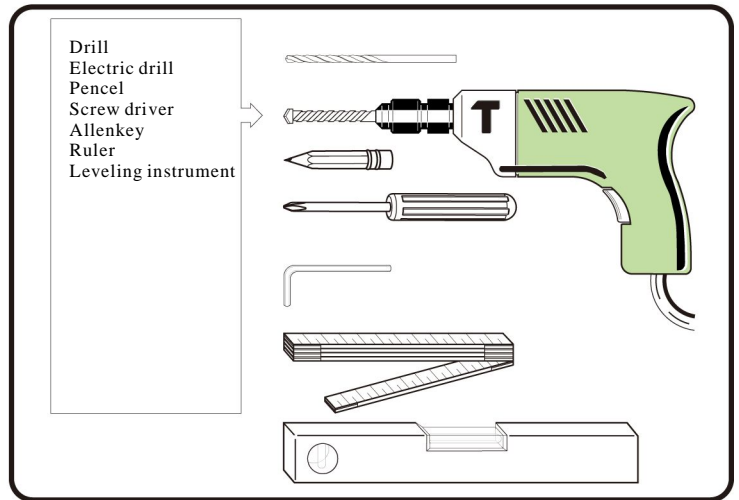
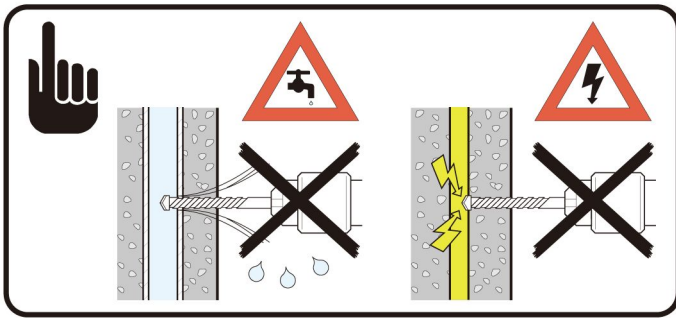
Glass :6mm thickness safety glass
(size:W850mmxH1550mm)

Hinges: The hinges are reversible, you can install them to the right side or left side as you like. The hinge is mainly made of aluminium and can be adjusted to be 0 degree position easily .This function has already applied for patent.

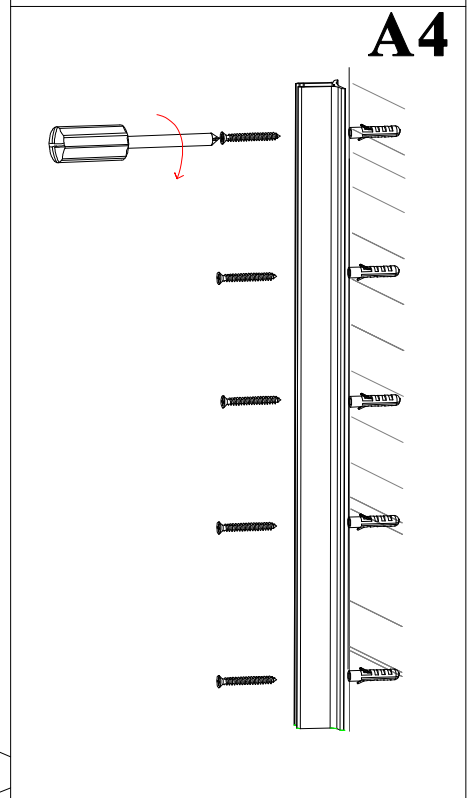
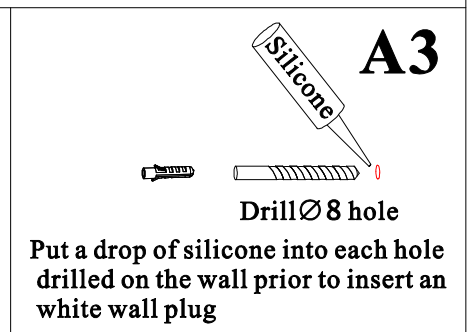
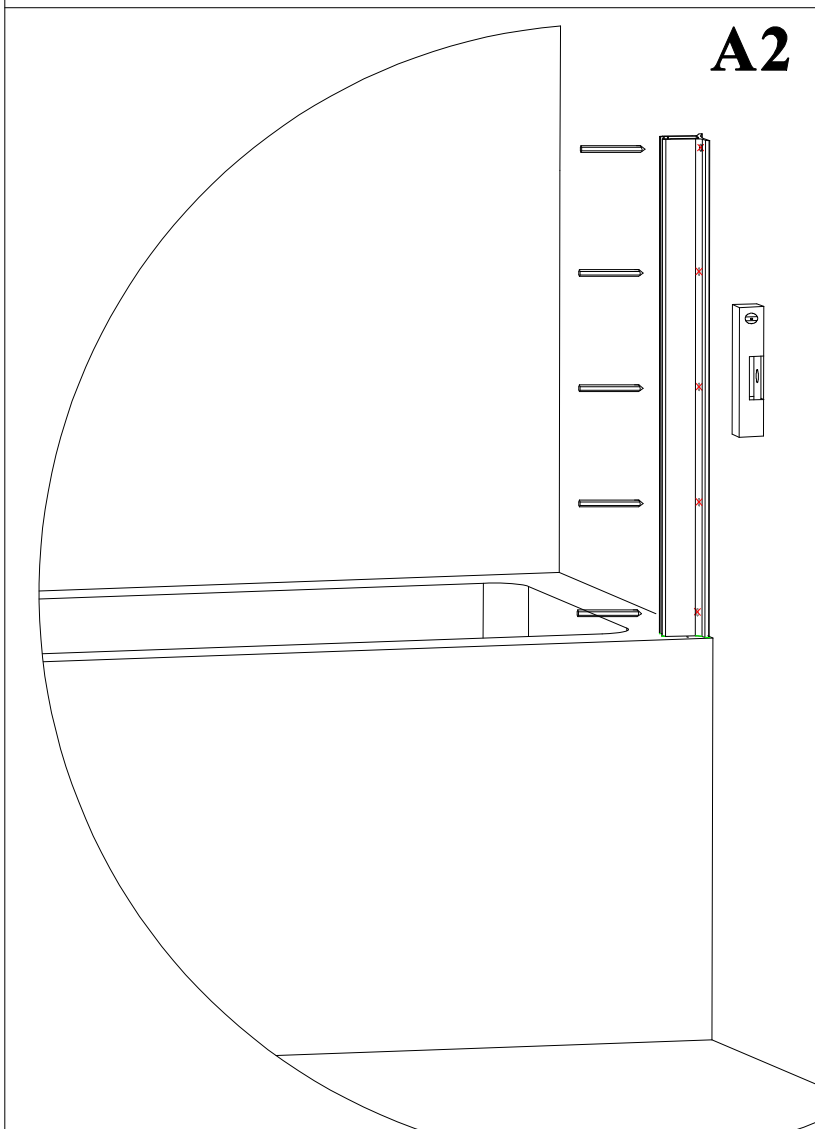
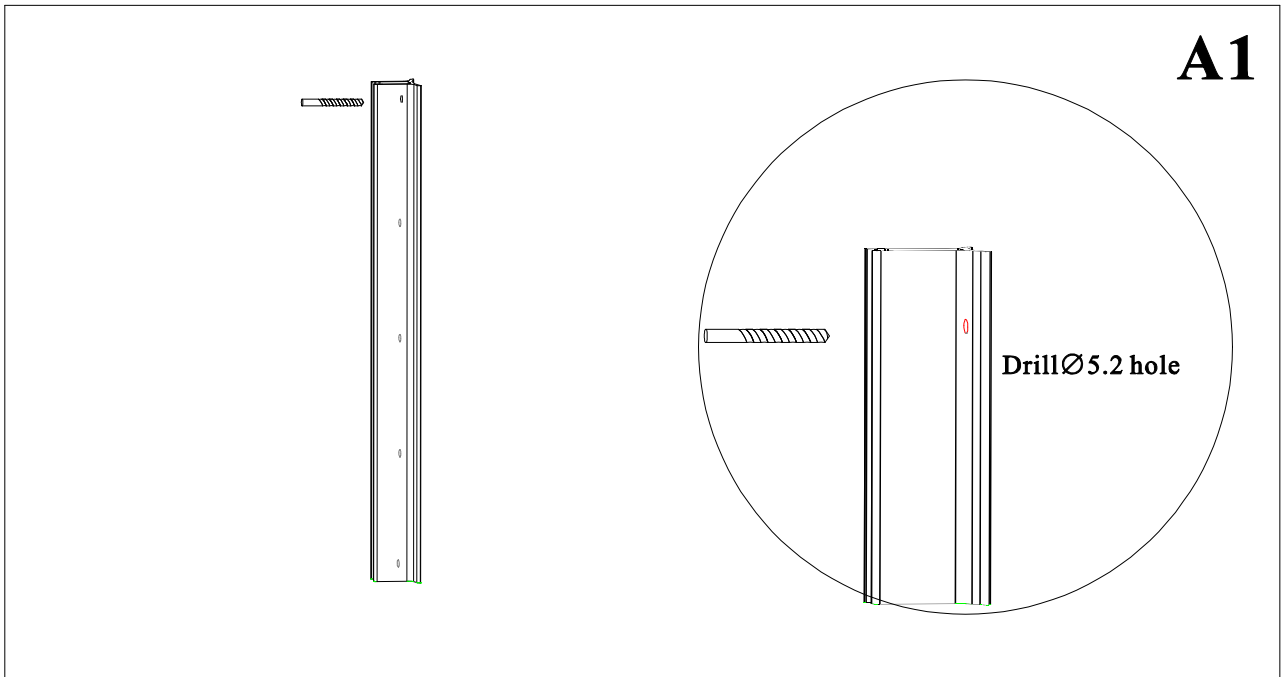
When place order, pls kindly note:

1. For glass door shower system, pls choose 1900mm height set
2. For glass to bathtub shower system, pls choose 1550mm height set
3. Special size can be offered according to customer's request.

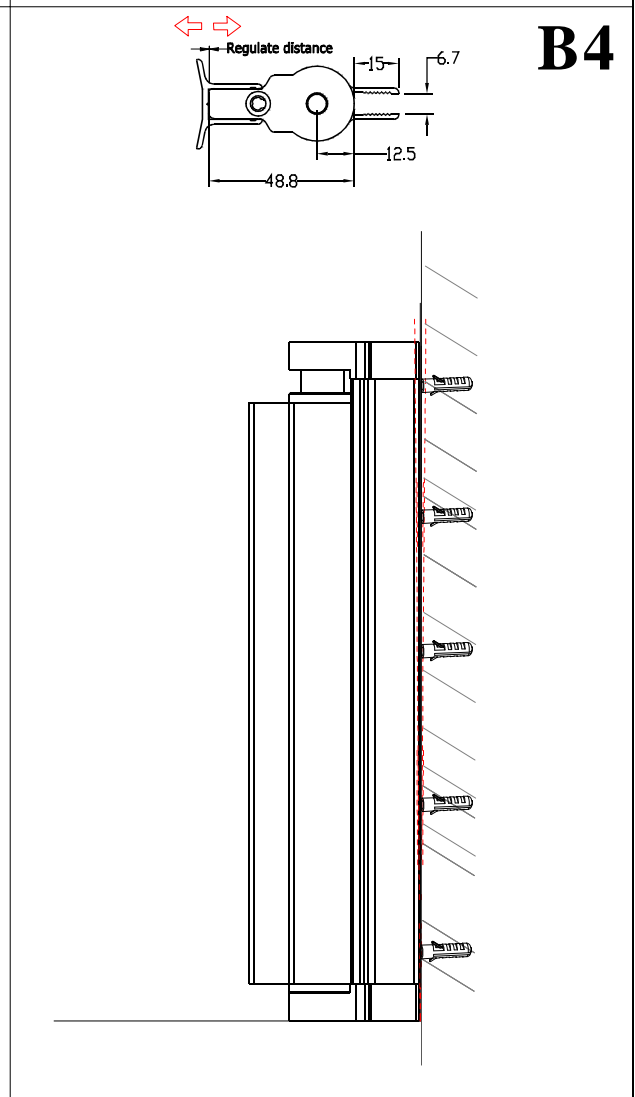
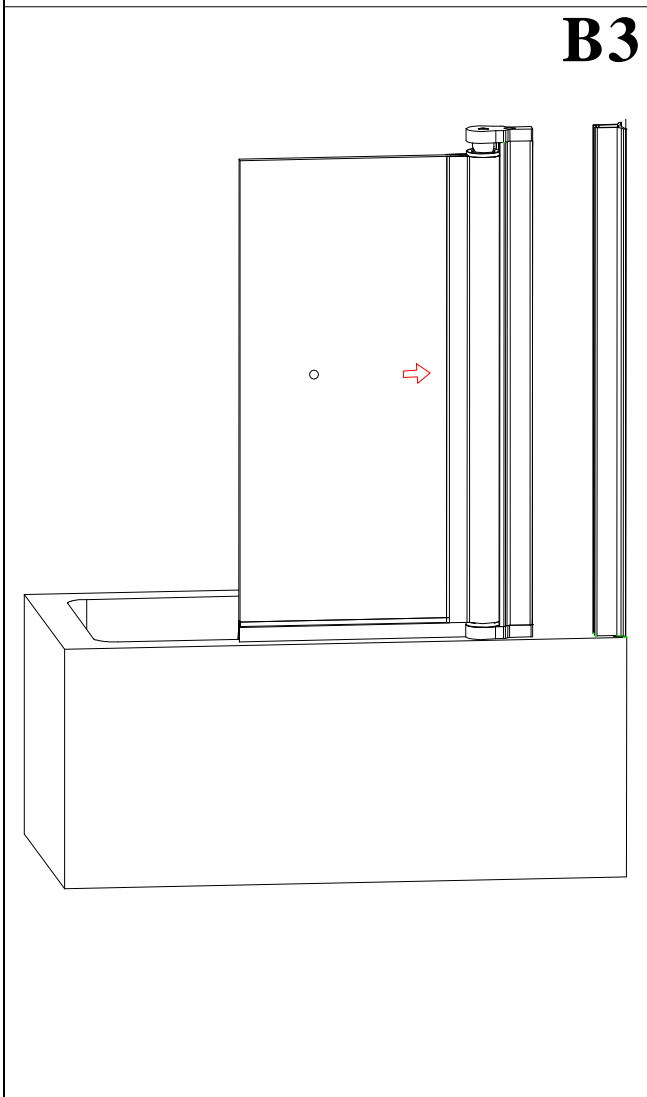
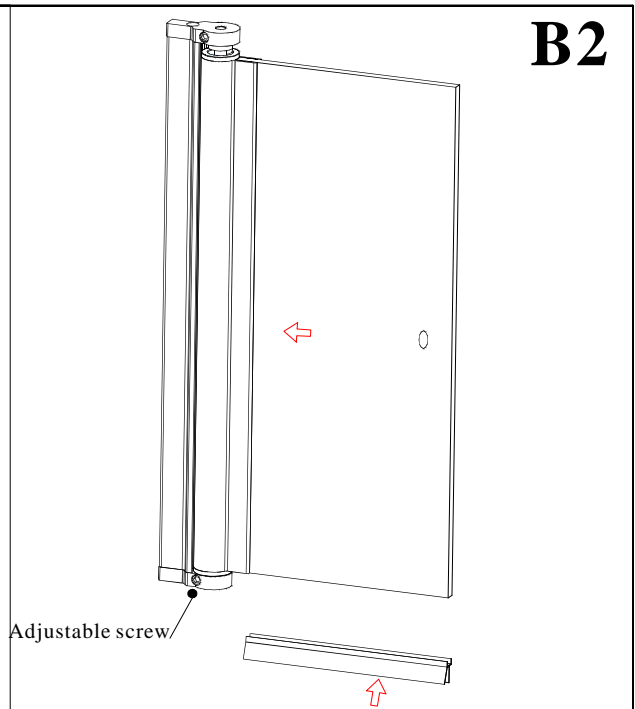
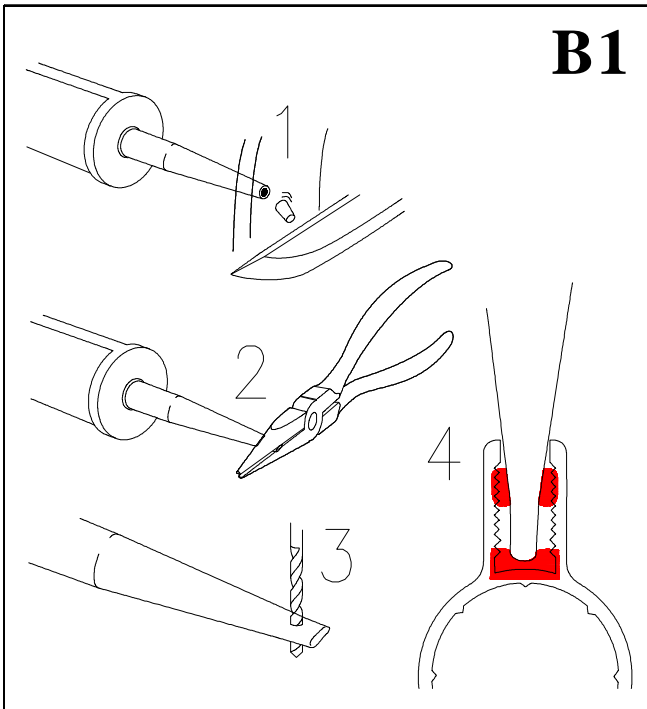
PREPARATION BEFORE INSTALLATION



INSTALLATION STEPS



INSTALLATION STEPS



INSTALLATION STEPS

